

Silver cadmium electrical contact

Electrical Contact factory, more than 10 years manufacture experience, attained ISO9001, work on OEM and ODM projects..

1. Introduction of Silver cadmium electrical contact

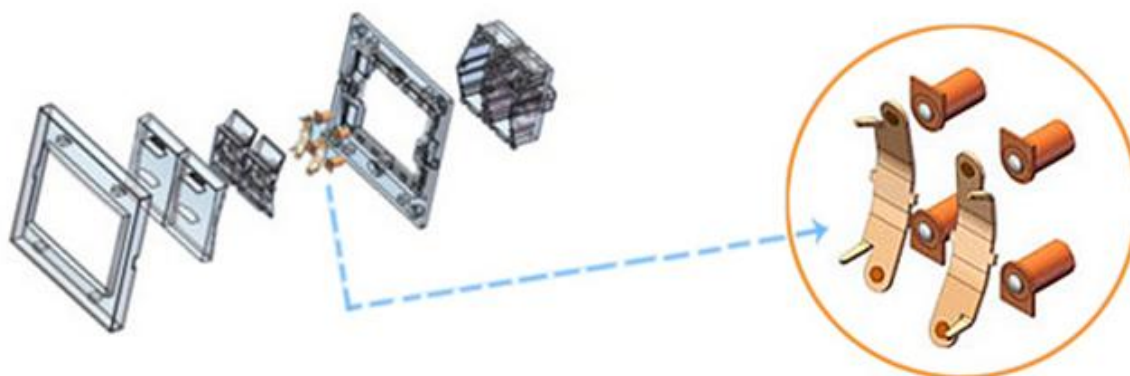
Silver cadmium oxide (AgCdO) electrical contact has high fusion welding resistance, electric wear resistance and low contact resistance.

In some specific fields, so far, no other material can be replaced

Increase Cadmium oxide content can improve the material fusion welding resistance, but will increase the contact resistance and the temperature rise, meanwhile reduce the material of plasticity.

2. Application of Silver cadmium electrical contact

AgCdO contacts Mainly used in low-middle voltage household electrical appliances switches, relay miniature circuit breaker, AC contactor etc.



3. Main Materials for Silver cadmium electrical contact

Main face material: AgCdO10, AgCdO12, AgCdO15, AgCdO20

Main base material : Cu, CuNi

Category	Density g/cm ³ ≥	Electrical conductivity .cm ≤	Hardness soft HV ≥	Tensile strength soft MPa ≥
AgCdO 90/10	10.00~10.30	2.1	≥80(HV)	250
AgCdO 88/12	9.90~10.20	2.3	≥80(HV)	280
AgCdO 85/15	9.75~10.10	2.5	≥80(HV)	250

4. Specification of Silver cadmium electrical contact

Address: No.16 Shuanggang street, Tangchun Village, Liaobu Town, 523407 Dongguan , Guangdong, China

Phone: +86-769-89800565

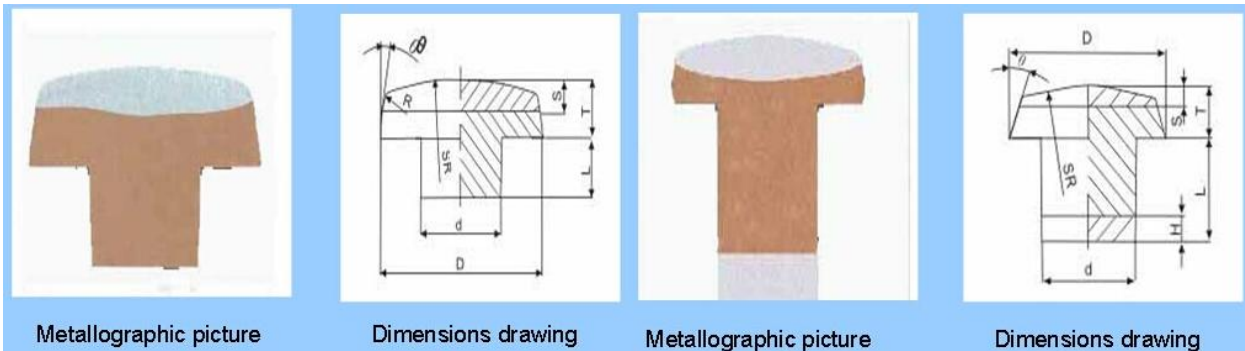
E-mail: sales@intmc.com

Dimensions can be customized

Contact rivet dimension and tolerance							
Item	Head Diameter D(mm)	Head Thickness T(mm)	Layer Thickness S(mm)	Shank Diameter d(mm)	Shank Length L(mm)	Sphere Radian R(mm)	Mold Ratio θ
Specification	2.5	0.6-1	0.3-0.4	1.2-1.5	1-2	4-6	9
	3	0.8-1.2	0.3-0.5	1.5		6-8	
	3.5			1.5-2.0			
	4	1.0-1.5		2	8-10		
	4.5		2.0-2.5				
	5	1.0-2.0	0.4-0.6	2.5	1-3	10-15	
	5.5			2.5-3.0			
	6			3			
	6.5	1.2-2.0	0.5-0.7	3.0-3.5	15-20		
	7			3.5	20-25		
8	4						
Tolerance	± 0.1	± 0.05	± 0.05	± 0.05	± 0.15	± 0.2	± 2

5. Product types for Silver cadmium electrical contact

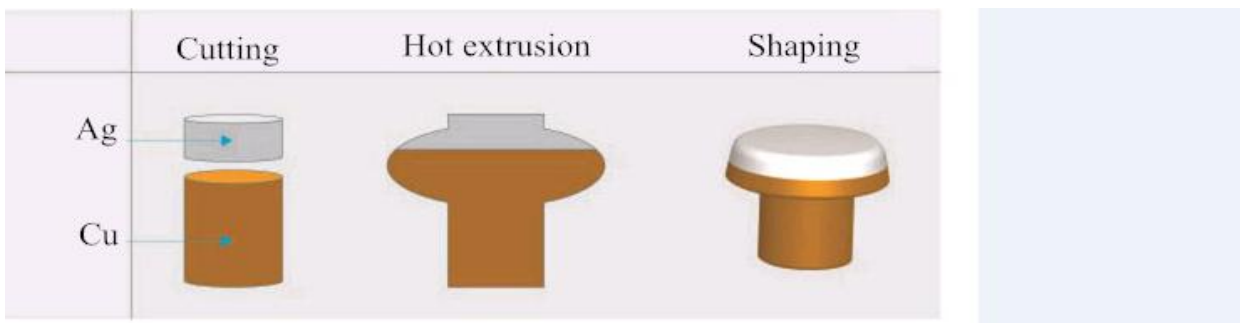
Round head rivets, Flat head rivets, Bimetal rivets, Tri-metal rivets and special type



6. Process of Silver cadmium electrical contact

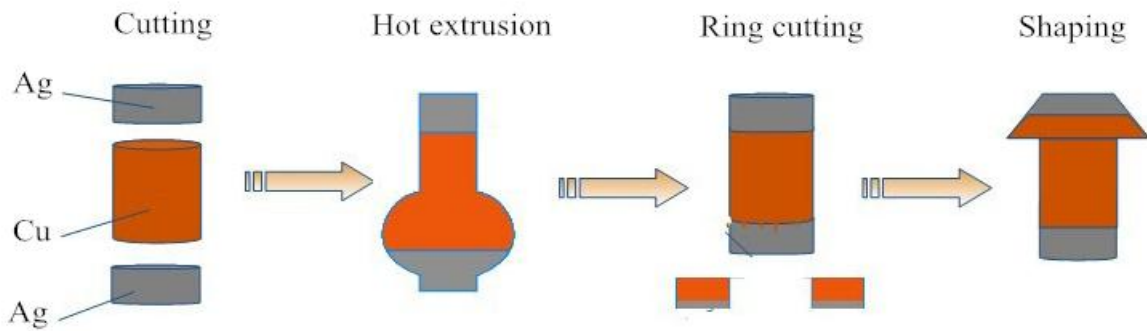
a. Silver on the tip:

Silver cadmium (AgCdO) wire + copper wire—Hot extrusion---Shaping



b. Silver on the tip and bottom

Silver cadmium (AgCdO) wire + copper wire—Hot extrusion---Ring cutting---Shaping



7. Manufacture plant of Silver cadmium electrical contact



8. Mill certificate for Silver cadmium electrical contact

Address: No.16 Shuanggang street, Tangchun Village, Liaobu Town, 523407 Dongguan , Guangdong, China
 Phone: +86-769-89800565
 E-mail: sales@intmc.com

项目 Item	单位	产品要求 Specification	检验结果 Inspection Result	复层材料 (Wt%)				
尺寸 Dimension	头部直径D	mm	4.7 ⁰ _{-0.2}	4.61	Ag (88±1)	87.9	Cd0	rest
	头部厚度T	mm	1 ⁰ _{-0.3}	0.97	金相图片 Micro Structure 200x			
	铆脚直径d	mm	1.9 ^{+0.05} _{-0.10}	1.95				
	钉脚长度L	mm	4.1 ± 0.10	4.12				
	小孔直径D1	mm	1.15 ± 0.05	1.20				
	钉脚长度L	mm	2.3 ⁰ _{-0.1}	2.30				
复层厚度 Complex thickness	mm	0.4 ⁰ _{-0.05}	0.35					
结合强度 Combine	mm	≤1/5	OK					
球面半径 Spheric Radius	mm	4.9	8.5	备注 Remarks				
脱膜角度 Draft Angle	°	10	11					

SGS

Test Report

No.: GZ1002015036/CHEM

Date: FEB 26, 2015

Page 4 of 4

Sample photo:



SGS authenticate the photo on original report only

*** End of Report ***

9. Packing and shipping for Silver cadmium electrical contact

Packing:

First put 500-5000 pcs into small plastic bags or vacuum plastic bags, then in separated small carton box, at last Into hard cardboard box.



Shipping:

We will choose the best way according to customer's requests.

1. By Air, to the indicated airport.
2. By Express (FedEx, UPS, DHL, TNT, EMS), to the indicated address.
2. By Sea, to the indicated sea port.



10.FAQ

1. Do you have ISO certificate?

Yes, we obtained ISO9001

2. How long is your delivery time for electrical contacts?

15-25 days depend on the raw material condition

3. Do you make parts according to our design?

Yes, we always do as per customers drawings or Technical documents

4. Can you help us to choose suitable material?

Yes, we can recommend the most suitable material according to your application.

5. Do you provide sample? Free or charge?

Yes, if the sample in stock available, free of charge, if not, need to charge some mfg cost.